



# P.I.T.<sup>®</sup>

Progressive Innovational Technology



PRODUCT PASSPORT  
USER'S MANUAL



ПАСПОРТ ИЗДЕЛИЯ  
ИНСТРУКЦИЯ ПОЛЬЗОВАТЕЛЯ

## DEMOLITION HAMMER МОЛОТОК ОТБойный



EAC

GSH65-C2  
GSH65-C3  
GSH90-C2

PROGRESSIVE INNOVATIONAL TECHNOLOGY

ПРОГРЕССИВНЫЕ ИННОВАЦИОННЫЕ ТЕХНОЛОГИИ



## GENERAL SAFETY PRECAUTIONS

1. Always keep the workplace clean. Contaminated workplace and workbenches increase the risk of accidents.
2. Follow the operation manual carefully. Do not use the tool when it rains. Also do not use the tool in damp locations. The workplace should be well-lit. Do not use the tool near flammable liquids or gas. During operation, as well as power on and power off, the tool generates sparks. Therefore, never use the tool in places where there are varnishes, paints, gasoline, dissolvers, gas, adhesives and other flammable and explosive materials.
3. To prevent electric shock during operation, make sure that the tool case is not in contact with grounded objects, for example, when laying pipes, when installing heating batteries, plates, refrigerators, etc.
4. Keep children away from the electric tool while it is operating. Keep unauthorized persons away from the electric tool and power extender.
5. Store the tool in a dry and lockable place so that it does not fall into the hands of children or unauthorized persons.
6. Use the tool without pressure and applying force. The tool will work better and more reliably if you use the recommended speeds by the operation manual.
7. Use only those types of tools that directly comply with the requirements of this type of work. For jobs requiring a high power tool, you cannot use a tool with a lower power. It is recommended to use tools suitable for the application purposes, for example, do not use a circular saw in order to saw down knots or trees.
8. During work, wear comfortable and suitable clothing. Do not also wear apparels during operation. Loose parts of clothing or apparels can be tightened by moving parts of the tool. During work on the street, rubber gloves and comfortable shoes with lug sole should be worn on so that the sole does not slip.
9. If a large amount of dust forms during operation, wear safety goggles and an anti-powder mask.
10. Handle the cable with care. When unplugging, do not pull the cable. Do not leave the cable in the heat, on the oil surface or on the surface with sharp edges.
11. Secure the workpiece securely. Use clamps and jaw vices if possible to secure the part. This is more reliable than holding the part.
12. Do not tilt the tool too much. Always maintain a stable position and a good balance.
13. Watch closely for the tool conditions. For better and more reliable use, they must always be sharp and clean. Follow the operation manual for lubricating and replacing the accessories. Regularly check the tool cable condition and, if damaged, return it to the technical service centers for repairs. From time to time, check the power extender and replace it if damaged. Keep handles in a dry, clean place; do not allow oil and grease to enter the handles.
14. Disconnect tool from the mains, when not in use, and do not power on them during servicing or replacing accessories, such as a circular saw blade, drill bit, blade, etc.
15. Always check before power on the tool that the adjusting wrench and the wrench are removed.
16. Avoid involuntary power on the tool. Do not hold the connected tool by the switch. Before attaching, make sure that the tool is disconnected.
17. When working outdoors, use an appropriate power extender. Use only a power extender fits the wire cross-section.
18. Always keep the work process under control. Do not use tool if you are tired.
19. Inspect damaged parts carefully. Before further use of the tool, carefully check that the tool functions properly and if all the prescribed functions are performed by the tool. Also check the installation and fastening of moving parts, watch for parts breakage and other conditions that can adversely affect the operation of the tool. Damaged parts and protective equipment must be exchanged only in technical service centers. Defective switches are also exchanged in these centers. Do not use the tool if it cannot be powered on or off by the switch.
20. Use electric tools only for the purpose intended in the operation manual.
21. Using of the accessory components that are not listed in the operation manual or in the catalog may cause the tool damage.
22. Repair the tool only in special technical service centers. The manufacturer is not liable for damage or damage caused to the tool as a result of repair by persons who do not have special authority for this or as a result of careless handling of the tool.
23. In order to ensure the production integrity of the tool, never remove the built-in cases or bolts.
24. Do not touch the moving parts and accessories if the tool is not powered off.
25. Use a tool with low power consumption as indicated on the type plate of the tool, otherwise, due to overload, the quality of the surface to be treated, and consequently the efficiency, can be significantly reduced.
26. Do not wipe the plastic parts with solvent. Solvents such as gasoline, solvent, carbon tetrachloride, alcohol, ammonia and oil can damage the plastic material or cause cracks. When cleaning plastic parts, use soapy water and a wash-cloth.
27. Use only original replacement parts.
28. A detailed diagram of the elements in the operation manual is provided only for technical service centers.

## E XPLANATION OF P.I.T. TRADEMARK

### P.I.T. Progressive Innovative Technology

Currently, 10 kinds of mechanical and electrical equipment are produced under the P.I.T. trademark. In terms of sales, electric demolition hammers occupy one of the leading positions.

Each letter and number in the designation of model of the P.I.T. electric demolition hammer has the meaning.

For example, **GSH65-C**

**GSH** – electric demolition hammer

**65** – impact force in Joules

**C** – modification series

## INTENDED USE

Electric demolition hammer (electric breaker) is the hand operated power tool with double insulation, driven by a single-phase electromotor. The tool has good safety features, reliability, high efficiency and ease for operation. Received wide acceptance for the pipeline laying, mechanical installation and construction of water supply and sewerage, interior decoration, construction of port facilities and other construction works.

It is used with drill pick or other appropriate bits, for example: mortise chisel, blade - for crushing, chipping, opening, wall chasing of concrete and brick-masonry constructions, asphalt pavement and other works.

## OPERATION PRINCIPLE

The drive mechanism transmits motion to a piston, which reciprocates inside the air cylinder, creating compressed air. The pressure of compressed air inside the cylinder transmits motion to the hammer upper part, making reciprocating movements, due to which blows are made, just like we do with a conventional hammer. Due to the presence of a pneumatic design, the impact force of an electric demolition hammer is significantly higher than that of the impact drill and electric rotary hammer.

**The operation principle of the electric demolition hammer is divided into two stages:**

### 1. Impact stage:

The rotating electromotor of the electric rotary hammer transmits motion to the crank-driven piston rod, causing the piston to make reciprocating movements, when compressed inside the air cylinder, a hammer impact is made, which is transmitted to the shank of the rotating head, thus the hammer impact process is considered complete.

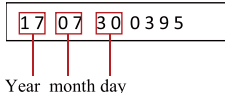
2. Rotation stage: the gear of the rotating cylinder imparts movement to the rotating head. There is a simultaneous rotation with the impacting.

## DECRYPTING THE DATE OF PRODUCTION OF THE PRODUCT

Date of manufacture of the product is encrypted in the serial number printed on the tool body. The first 2 digits indicate the year of manufacture, the next 2 digits - month and the following two digits – day.

No. 

17	07	30	03	95
----	----	----	----	----



## PRODUCT SPECIFICATIONS

	<b>GSH65-C2</b>	<b>GSH65-C3</b>	<b>GSH90-C2</b>
<b>Rated voltage</b>	<b>220 V</b>	<b>220 V</b>	<b>220 V</b>
<b>Rated frequency</b>	<b>50 Hz</b>	<b>50 Hz</b>	<b>50 Hz</b>
<b>Rated output capacity</b>	<b>1800 W</b>	<b>2000 W</b>	<b>2500 W</b>
<b>Impact frequency</b>	<b>2000 BPMs</b>	<b>2000 BPMs</b>	<b>2000 BPMs</b>
<b>Impact force</b>	<b>50J</b>	<b>65 J</b>	<b>75J</b>
<b>Chuck</b>	<b>hex key, 30 mm</b>	<b>hex key, 30 mm</b>	<b>hex key, 30 mm</b>
<b>Weight</b>	<b>14. 5kg</b>	<b>16kg</b>	<b>16. 1kg</b>

## FUNCTIONAL CAPABILITIES AND FEATURES OF THE ELECTRIC DEMOLITION HAMMER

### Functional capabilities

The main function of the electric demolition hammer is to break and loosen all kinds of solid materials. This tool is indispensable for the various constructions removing, the destruction of frozen ground, and removal of road covering, metal cutting and other works.

### Features

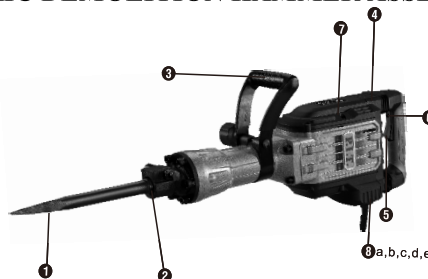
- Sliding type chuck, very strong fixation and locking, which makes the bits installation and removal process quick and convenient.
- Covering the additional handle with soft rubber effectively reduces vibration. The possibility of its rotation through 360 °, which makes the work convenient and comfortable.
- Optimal mechanical design provides greater impact force and strength.
- High quality electromotor ensures high working efficiency.
- Unique damping spring and plate will significantly reduce the rear backblow vibration, which reduces operator fatigue.
- The on/off control lock function is suitable for extended operation.

**Note:** ■ – available □ – not available

MODEL	DOUBLE INSULATION	REVERSE ROTATION	SELF-BLOCKING KEY	ADDITIONAL HANDLE	VIBRATION REDUCING HANDLE
GSH65-C2	■	□	■	■	■
GSH65-C3	■	□	■	■	■
GSH90-C2	■	□	■	■	■

## ELECTRIC DEMOLITION HAMMER ASSEMBLY

**Model GSH65-C2**





**1. BIT**

**2. SLIDING CHUCK**

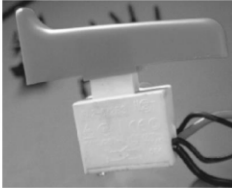
**3. ADDITIONAL HANDLE**

Rubberized, during operation does not slip, reduces the level of vibration and noise, thereby increasing productivity, reducing the work intensity.

**4. HANDLE**

Rubberized, which is not allowed to slip, increases productivity.

**5. ON/OFF CONTROL**



**6. SELF-BLOCKING KEY**

Necessary for the continuous tool operation

**7. CASE**

Made of aluminum, sufficient light

**8. ELECTROMOTOR**



**First gear**



**Second gear**

**A. Gear**  
The technology of thermal processing is used. The large and small teeth are hardened in vacuum, which ensures a high level of hardness of the gears and increases energy transfer, efficiency and service life. Transmission of high energy, high efficiency, high reliability, long service life. Gears are made of high-quality alloy steel, which greatly improves the accuracy of assembly and the lifetime.



**B. Bearings**

During operation, bearings reduce the rolling sense of the output shaft.

**C. Rotor**



On the plate of high-quality cold-rolled silicon steel is applied hot wire at 230°C. Installed switch with a silver content of 8/10000, using the method of fully automatic thread winding. The rotor consists of parts that allow the motor to rapidly produce powerful energy and show continuous operation.



**D. Stator**

The stator is a fixed part of the electric demolition hammer, its role is to create a rotating magnetic field. First of all, it consists of stator metal core, stator winding and frame. The copper thread inside is wound completely automatically, what increases the strength and service life.



**E. Carbon brushes**

For their creation used imported materials. Brushes interact with the switch, switching the current of the electromotor, driving the output shaft, which allows to increase the service life (is relating to the rapidly wearing parts of the electromotor).

## **RULES OF OPERATION**

### **RULES OF INDIVIDUAL SAFETY DURING WORKING WITH ELECTRIC DEMOLITION HAMMER**

1. The operator must wear safety glasses to protect the eyes. While working at the face level, it is necessary to wear a protective mask.

2. During operation, it is necessary to hold the tool with both hands to prevent hand dislocation when jamming the rotation.

3. After starting the tool, first work at idle, thus, check and make sure that the movements of the tool are free, unclosed. During operation, the increase in effort should be uniform, you cannot make excessive efforts.

4. During operation, hold the tool by the handle. To start work, apply the borer to the work surface, then start the process itself, efforts to make proportionate to avoid rolling motion. If the speed drops sharply, the applied force must be reduced to prevent the motor from overloading. It is strictly forbidden to apply pressure on the tool by the shoulder.

5. Continuous operation for a long time is not allowed.

6. During work it is necessary to establish a stable operating platform around which to build a protection enclosure.

7. It is strictly forbidden to overload the tool during operation. During operation, it is necessary to pay attention to the sounds and temperature rise, when detecting emergency situations, immediately stop work and conduct an inspection.

8. Do not release the tool from your hands when working.

9. After prolonged operation, the tip becomes very hot, so be careful when replacing the nozzle, otherwise it may cause severe burns.

10. Always wear safety glasses when using this power tool. Use a dust mask for work which produces dust.

11. Use noise limiting headphones when using a power tool for long periods of time. Prolonged exposure to high-intensity noise can cause hearing loss.

### **BEFORE START OPERATION DRAW ATTENTION**

1. Make sure that the connected power supply matches the tool model and that the current leakage protection device is installed.

2. The bit fits to the holder and fixed strongly.

3. If the work place is far from the power supply, it is recommended to use an extension cord with sufficient capacity to meet the necessary requirements.

### **BEFORE START OPERATION, CHECK THE FOLLOWING PARAMETERS**

1. On the case, handle no cracks, damages.

2. Power cord, plug is fully operational, on/off control are working properly, zero is connected correctly, firmly and securely.

3. All protective covers are firmly fixed, electric protective device is reliable.

## MAINTENANCE

### 1. REPLACING CARBON BRUSHES

When the carbon brushes wear to the permissible limit, the tool is automatically turned off. When this happens, loosen the screws that hold the brush holder cover. Remove the cover. Change both carbon brushes at the same time. Use only identical carbon brushes.

### 2. LUBRICANT CHANGE

To warm up the tool, turn it on for a few minutes. Then turn it off and unplug it. Loosen the screws and disconnect the handle. Use the box wrench to unscrew the cardan cover. Place the tool on the table surface in a vertical position with the holder at the top. This will allow the old oil to drain into the cavity of the cardan body. Remove the old grease. Thoroughly wipe the cavity and replace the old grease with a new one. The use of more than 30 grams amount of grease may lead to incorrect impact action and output of the tool failure. Reinstall the cardan cover and tighten it with the box wrench. Install the handle.

#### ATTENTION:

- Be careful not to damage the terminals or live wires while wiping the cardan body cavity from old grease or when installing the handle.
- Do not overtighten the cardan cover, it is made of plastic and may break.

**Tool maintenance must be performed only by experienced personnel of authorized technical service centers.**

## TERMS OF WARRANTY SERVICE

1. This Warranty Certificate is the only document that confirms your right to free warranty service. Without presenting this certificate, no claims are accepted. In case of loss or damage, the warranty certificate is not restored.

2. The warranty period for the power tool is 12 months from the date of sale, during the warranty period the service department eliminates manufacturing defects and replaces parts that have failed due to the fault of the manufacturer free of charge. In the warranty repair, an equivalent operable product is not provided. Replaceable parts become property of service providers.

P.I.T. is not liable for any damage that may be caused by operation of the electric machine.

3. Only clean tool accompanied with the following duly executed documents: this Warranty Certificate, Warranty Card, with all fields filled out, bearing the stamp of the trade organization and the signature of the buyer, shall be accepted for warranty repair.

4. Warranty repair is not performed in the following cases:

- in the absence of a Warranty Certificate and a Warranty Card or their incorrect execution;
- with failure of both a rotor and a stator of the electric engine, charring or melting of primary winding of the welding machine transformer, charging or starting-charging device, with internal parts melting, burn down of electronic circuit boards;
- if a Warranty Certificate or a Warranty Card does not correspond to this electric machine or to the form established by the supplier;
- upon expiration of the warranty period;
- at attempts of opening or repair of the electric machine outside the warranty workshop; making constructive changes and lubrication of the tool during the warranty period, as evidenced, for example, by the creases on the spline parts of the fasteners of non-rotational parts.
- when using electric tools for production or other purposes connected with making a profit, as well as in case of malfunctions related to instability of the power network parameters exceeding the norms established by GOST;
- in the events of improper operation (use the electric machine for other than intended purposes, attachments to the electric machine of attachments, accessories, etc. not provided by the manufacturer);
- with mechanical damage to the case, power cord and in case of damages caused by aggressive agents and high and low temperatures, ingress of foreign objects in the ventilation grids of the electric machine, as well as in case of damage resulting from improper storage (corrosion of metal parts);
- natural wear and tear on the parts of the electric machine, as a result of long-term operation (determined on the basis of the signs of full or partial depletion of the specified mean life, great contamination, presence of rust outside and inside the electric machine, waste lubricant in the gearbox);
- use of the tool the purposes for other than specified in the operating instructions.
- mechanical damages to the tool;
- in the event of damages due to non-observance of the operating conditions specified in the instruction (see chapter "Safety Precautions" of the Manual).
- damage to the product due to non-observance of the rules of storage and transportation.

Preventive maintenance of electric machines (cleaning, washing, and lubrication, replacement of anthers, piston and sealing rings) during the warranty period is a paid service.

The service life of the product is determined by the manufacturer and is 2 years from the date of manufacture,

The owner is notified of any possible violations of the above terms of warranty service upon completion of diagnostics in the service center.

The owner of the tool entrusts the diagnostic procedure to be conducted in the service center in his absence.

Do not operate the electric machine when there are signs of excessive heat, sparking, or noise in the gearbox. To determine the cause of the malfunction, the buyer should contact the warranty service center.

Malfunctions caused by late replacement of carbon brushes of the engine are eliminated at the expense of the buyer.

5. The warranty does not cover:

- replacement of parts (accessories and furniture), for example: accumulators, disks, knives, drills, bores, cartridges, chains, sprockets, collet clamps, buses, tensioning elements and fasteners, trim tabs, pads of grinders and tape machines, etc.
- quick-wear parts, for example: carbon brushes, drive belts, glands, protective covers, guide rollers, guides/rails, rubber seals, bearings, timing belts and wheels, shafts, brake band, ratchet wheels and starter cables, piston rings, etc. Replacing them during the warranty period is a paid service.
- power cords, in case of insulation damage, power cords are subject to mandatory replacement without the consent of the owner (paid service),
- casing of machine.

**P.I.T. WARRANTY CERTIFICATE**

Product Name \_\_\_\_\_

Product Number

Place of Seal

Serial Number

Sale Date \_\_\_\_\_

Trade Organization Name \_\_\_\_\_

**Dear customer!**

Thank you for purchasing the P.I.T tool, and we hope that you will be satisfied with your choice. In the process of manufacturing the P.I.T tools pass multilevel quality control, if nevertheless your product will need maintenance, please contact the authorized P.I.T service centers.

**Attention!**

When buying, ask a seller to check the completeness and operability of the tool, to fill out the Warranty Certificate, the Warranty Card (the boxes shall be filled out by a seller) and to affix the seal of the trade organization in the Guarantee Certificate and the Warranty Card.

**Warranty**

By this Warranty Certificate, P.I.T. company guarantees the absence of defects of the production nature.

In the event any of the above defects are detected during the warranty period, the specialized P.I.T. service centers shall repair the product and replace the defective spare parts free of charge.

The warranty period for P.I.T. electric machines is 12 months from the date of sale.

**“The warranty maintenance terms acknowledged and accepted. The operability and completeness of the product are checked in my presence. No claims on quality and appearance.”**

Buyer’s Signature \_\_\_\_\_ Surname (legibly) \_\_\_\_\_

Phone \_\_\_\_\_



## ОБЩИЕ МЕРЫ БЕЗОПАСНОСТИ

1. Всегда поддерживайте рабочее место в чистом состоянии. Загрязненные рабочие поверхности и верстаки повышают опасность несчастного случая.
2. Строго соблюдайте рекомендации инструкции по эксплуатации. Не используйте инструмент во время дождя. Также не используйте инструмент во влажных помещениях. Рабочее место должно быть хорошо освещено. Не используйте инструмент вблизи легковоспламеняющихся жидкостей или газа. Во время эксплуатации, а также при включении и выключении инструмент вырабатывает искры. Поэтому никогда не используйте инструмент в тех местах, где находятся лак, краски, бензин, растворитель, газ, клей и другие воспламеняющиеся и взрывоопасные материалы.
3. Когда Вас во время работы не ударило током, следите за тем, чтобы корпус инструмента не был в контакте с заземленными предметами, например при прокладке труб, при установке отопительных батарей, плит, холодильников и т.д.
4. Храните инструмент таким образом, чтобы дети не могли им воспользоваться. Избегайте контакта других лиц с инструментом или удлинителем.
5. Храните инструмент в сухом и запираемом месте, чтобы он не попал в руки детям или другим лицам.
6. Используйте инструмент без нажима и применения силы. Так инструмент будет работать лучше и надежнее.
7. Пользуйтесь только теми инструментами, которые непосредственно соответствуют требованиям работы данного типа. Для работ, требующих инструмент высокой мощности, нельзя использовать инструмент с более низкой мощностью. Рекомендуется использовать инструменты, соответствующие цели применения например, не следует применять циркулярную пилу для того, чтобы отпиливать сучки или спилить дерево.
8. Во время работы следует надевать удобную и подходящую для работы одежду. Не следует также во время работы надевать украшения. Свободно болтающиеся части одежды или украшения могут быть затянуты движущимися частями инструмента. Во время работы на улице следует надевать резиновые перчатки и удобную обувь на рифленой подошве, чтобы подошва не скользила.
9. Если во время работы образуется большое количество пыли, то следует надевать защитные очки и противопылевую маску.
10. Осторожно обращайтесь с кабелем. При выключении из розетки не тяните за кабель. Не оставляйте кабель на жаре, на масляной поверхности или на поверхности с острыми краями.
11. Надежно закрепляйте обрабатываемую деталь. Для закрепления детали используйте по возможности тиски и зажимы. Это более надежно, чем удерживать деталь в руках.
12. Не наклоняйте инструмент слишком сильно. Всегда сохраняйте устойчивое положение и хороший баланс.
13. Внимательно следите за состоянием инструментов. Для лучшего и более надежного использования они должны быть всегда острыми и чистыми. Следуйте указаниям по смазке и замене комплектующих деталей. Регулярно проверяйте состояние кабеля инструмента и при повреждении отдавайте в ремонт в центры техобслуживания. Время от времени проверяйте удлинитель и заменяйте его при повреждении. Рукоятки храните в сухом, чистом месте, не допускайте попадания на рукоятки масла и жира.
14. Отсоединяйте инструменты от сети, если они не используются, и не включайте при техобслуживании или замене комплектующих деталей, таких, как например, пыльный диск, сверло, нож и т.д.
15. Всегда проверяйте перед включением инструмента, удалены ли установочный и гаечный ключи.
16. Избегайте непроизвольного включения инструмента. Не держите подсоединенный инструмент за переключатель. Перед присоединением убедитесь, что инструмент выключен.
17. При работе на свежем воздухе используйте соответствующий удлинитель. Используйте только такой удлинитель, который подходит для работ на улице.
18. Процесс работы всегда держите под контролем. Не работайте с инструментом в утомленном состоянии.
19. Внимательно проверяйте поврежденные детали. Перед дальнейшим использованием инструмента тщательно проверяйте, правильно ли функционирует прибор и все ли предписанные функции он выполняет. Также проверяйте установку и закрепление движущихся частей, следите за поломкой частей и другими состояниями, которые могут отрицательно сказаться на работе инструмента. Испорченные детали и предохранительные устройства должны обмениваться только в центрах техобслуживания. Дефектные выключатели также обмениваются в этих центрах. Не используйте инструмент, если он не может быть включен или выключен с помощью выключателя.
20. Используйте электроинструменты только по назначению, указанному в инструкции по эксплуатации.
21. Использование комплектующих деталей, не указанных в инструкции по эксплуатации или в каталоге, может привести к поломке инструмента.
22. Инструмент ремонтируйте только в специальных центрах техобслуживания. Изготовитель не несет ответственности за повреждения или порчу, причиненную инструменту в результате его ремонта лицами, не имеющими на это специальных полномочий или в результате неосторожного обращения с инструментом.
23. Для того чтобы обеспечить производственную целостность инструмента, никогда не удаляйте вмонтированные крышки или болты.
24. Не дотрагивайтесь до движущихся частей и комплектующих деталей, если инструмент не выключен.
25. Инструмент с незначительной потребляемой мощностью используйте так, как указано в таблице инструмента, в противном случае из-за перегрузки качество обрабатываемой поверхности, а соответственно и КПД, может значительно снизиться.
26. Не протирайте растворителем пластиковые детали. Растворители, такие как бензин, растворитель, четыреххлористый углерод, спирт, аммиак и масло могут испортить пластиковый материал или стать причиной трещин. При чистке пластиковых деталей используйте мыльную воду и тряпочку.
27. Используйте только оригинальные сменные детали.
28. Подробная схема элементов, расположенная в руководстве по эксплуатации, представлена только для сервисных центров.

## РАШИФРОВКА ДАТЫ ИЗГОТОВЛЕНИЯ ИЗДЕЛИЯ

Дата изготовления изделия зашифрована в серийном номере, напечатанном на корпусе инструмента. Первые 2 цифры обозначают год выпуска, следующие 2 цифры – месяц и следующие 2 цифры – день

№. 

1	7	0	7	3	0	0	3	9	5
---	---	---	---	---	---	---	---	---	---

  
год месяц день

## РАСШИФРОВКА ТОРГОВОЙ МАРКИ P.I.T.

### **P.I.T.**<sup>®</sup> Progressive Innovational Technology (Прогрессивные Инновационные Технологии)

В настоящее время под маркой P.I.T. выпускается механическое и электрическое оборудование 10 видов.

По объему продаж электрические отбойные молотки занимают одно из лидирующих мест.

Каждая буква и цифра в обозначении модели электрического отбойного молотка P.I.T. имеет значение.

Например, **GSH65-C**

**GSH** – электрический отбойный молоток

**65** – сила удара в Джоулях

**C** – серия модификации

## НАЗНАЧЕНИЕ

Электрический отбойный молоток (electric breaker) является ручным электрическим инструментом с двойной изоляцией, приводящийся в движение однофазным электрическим двигателем.

Инструмент обладает хорошими характеристиками безопасности, надежности, высокой эффективностью и удобством в эксплуатации.

Широкое применение получил при прокладывании трубопровода, механическом монтаже и строительстве водопровода и канализации, внутренней отделке помещений, строительстве портовых сооружений и других строительных работах.

Используется с пиками или другими соответствующими наконечниками, например: долото, лопатка – для раздробления, скалывания, вскрытия, штробления бетона, кирпично-каменных конструкций, асфальтового покрытия и других работ.

## ТЕХНИЧЕСКИЕ ХАРАКТЕРИСТИКИ

	<b>GSH65-C2</b>	<b>GSH65-C3</b>	<b>GSH90-C2</b>
Номинальное напряжение	<b>220 В</b>	<b>220 В</b>	<b>220 В</b>
Номинальное частота	<b>50 Гц</b>	<b>50 Гц</b>	<b>50 Гц</b>
Номинальная выходная мощность	<b>1800 Вт</b>	<b>2000 Вт</b>	<b>2500 Вт</b>
Частота ударов	<b>2000 уд/мин</b>	<b>2000 уд/мин</b>	<b>2000 уд/мин</b>
Сила удара	<b>50 Дж</b>	<b>65 Дж</b>	<b>75 Дж</b>
Патрон	<b>шестигранник, 30 мм</b>	<b>шестигранник, 30 мм</b>	<b>шестигранник, 30 мм</b>
Вес	<b>14.5 КГ</b>	<b>16 КГ</b>	<b>16.1 КГ</b>

## ПРИНЦИП РАБОТЫ

Приводной механизм передает движение на поршень, который внутри воздушного цилиндра совершает возвратно-поступательное движение, создавая сжатый воздух. Давление сжатого воздуха внутри цилиндра передает движение на верхнюю часть молота, совершающего возвратно-поступательные движения, благодаря чему совершаются удары, такие же, как мы наносим обычным молотком. В связи с наличием пневматической конструкции, сила удара у электрического отбойного молотка значительно выше, чем у ударной дрели и электрического перфоратора.

### Принцип работы электрического отбойного молотка подразделяется на два этапа:

#### 1. Этап удара:

вращающийся электрический двигатель электрического перфоратора передает движение на кривошипный шатун, заставляя поршень совершать возвратно-поступательные движения, при сдавливании внутри воздушного цилиндра совершается удар молотом, который передается на хвостовик вращающейся головки, таким образом, процесс удара молотом считается завершенным.

#### 2. Этап вращения: шестерня вращающегося цилиндра придает движение на вращающуюся головку. Происходит одновременное вращение с соударением.

## ФУНКЦИОНАЛЬНЫЕ ВОЗМОЖНОСТИ И ОСОБЕННОСТИ ОТБойНОГО МОЛОТКА

### Функциональные возможности:

Главной функцией отбойного молотка является разбивание и разрыхление разного рода твердых материалов. Этот инструмент незаменим при демонтаже различных конструкций, разрушении мерзлого грунта, устранении дорожных покрытий, рубке металла и прочих работах.

### Особенности:

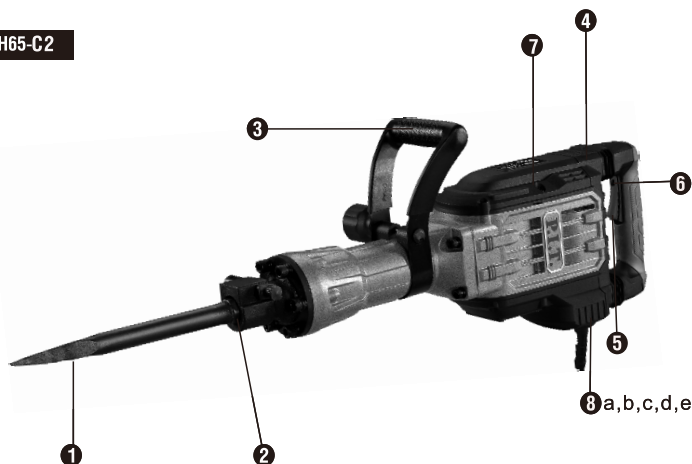
- Патрон скользящего типа, очень прочная фиксация и блокировка, что делает установку и снятие наконечников процессом быстрым и удобным.
- Покрытие вспомогательной рукоятки мягкой резиной эффективно снижает вибрацию. Возможность ее вращения на 360°, что делает работу удобной и комфортной.
- Оптимальный дизайн механической конструкции обеспечивает большую ударную силу и прочность.
- Электродвигатель высокого качества, обеспечивает, высокую эффективность работы.
- Уникальная амортизационная пружина и пластина значительно сокращают заднюю отдачу вибрации, что уменьшает усталость оператора.
- Функция блокировки клавиши включения подходит для продолжительных работ.

Примечание: есть  отсутствует

Модель	Двойная изоляция	Реверсное вращение	Клавиша включения с самоблокировкой	Ручка дополнительная	Рукоятка, снижающая вибрацию
GSH65-C2	<input checked="" type="checkbox"/>	<input type="checkbox"/>	<input checked="" type="checkbox"/>	<input checked="" type="checkbox"/>	<input checked="" type="checkbox"/>
GSH65-C3	<input checked="" type="checkbox"/>	<input type="checkbox"/>	<input checked="" type="checkbox"/>	<input checked="" type="checkbox"/>	<input checked="" type="checkbox"/>
GSH90-C2	<input checked="" type="checkbox"/>	<input type="checkbox"/>	<input checked="" type="checkbox"/>	<input checked="" type="checkbox"/>	<input checked="" type="checkbox"/>

## УСТРОЙСТВО ЭЛЕКТРИЧЕСКОГО ОТБойНОГО МОЛОТКА

модель GSH65-C2





**1 Наконечник**
**2 Скользящий патрон**
**3 Вспомогательная рукоятка**

прорезиненная, при эксплуатации не скользит, снижает уровень вибрации и шума, благодаря чему повышается производительность, снижается интенсивность труда.

**4 Рукоятка**

прорезинена, с помощью которой не допускается скольжение, увеличивается производительность труда.

**5 Клавиша включения**

**6 Клавиша самоблокировки**

необходима для непрерывной работы инструмента

**7 Корпус**

выполнен из алюминия, достаточно легкий.

**8 Электродвигатель**


**Первая шестерня**



**Вторая шестерня**

**A. Шестерня**

Используется технология термической обработки. Большие, малые зубья подвергнуты вакуумной закалке, что делает шестерни с высоким уровнем твердости. Передача большой энергии, высокая эффективность, высокая надежность, длительный срок эксплуатации. Шестеренки выполнены из высококачественной легированной стали, что значительно повышает точность сборки и срок эксплуатации.


**B. Подшипники**

Во время работы подшипники уменьшают чувство качания выходного вала.


**C. Ротор**

На пластину из высококачественной холоднокатаной кремнистой стали прикладывает-ся горячая нить при температуре 230°C. Установлен коммутатор с содержанием серебра 8/10000, используется полностью автоматический способ накручивания нити. Ротор состоит из деталей, которые позволяют электродвигателю стремительно выдавать мощную энергию и показывать продолжительную работу.


**D. Статор**

Статор является фиксированной частью электронного отбойного молотка, его роль заключается в создании вращающегося магнитного поля. Главным образом, он состоит из металлического сердечника статора, обмотки статора и станины. Медная нить внутри накручена автоматическим способом, что увеличивает прочность, и долговечность.


**E. Угольные щетки**

Для их создания использованы импортные материалы. Щетки взаимодействуют с коммутатором, осуществляя переключение тока электродвигателя, приводя в движение выходной вал, что позволяет увеличить срок эксплуатации (относится к быстро изнашивающимся деталям электродвигателя).

## ПРАВИЛА ЭКСПЛУАТАЦИИ

### Правила индивидуальной безопасности при работе с электрическим отбойным молотком

1. Оператор должен надевать защитные очки для защиты глаз. Во время работы на уровне лица, необходимо надевать защитную маску.
2. Во время работы необходимо держать инструмент двумя руками, чтобы предотвратить вывих руки при заклинивании вращения.
3. После запуска инструмента сначала поработать на холостом ходу, тем самым, проверить и убедиться, что движения инструмента свободные, беспрепятственные. Во время работы увеличение усилия должно быть равномерным, нельзя прилагать чрезмерные усилия.
4. Во время работы инструмент держать за рукоятку. Для начала работы приложить бур к рабочей поверхности, затем начать сам процесс, усилия прилагать соразмерные, чтобы избежать качания. При резком снижении скорости необходимо уменьшить прилагаемое усилие, чтобы не допустить перегрузки электродвигателя. Строго запрещено давить на инструмент плечом.
5. Не допускается непрерывная работа на протяжении длительного времени.
6. Во время работы необходимо установить прочную рабочую площадку, вокруг которой соорудить ограждение.
7. Строго запрещено перегружать инструмент во время работы. В ходе эксплуатации необходимо обращать внимание на звуки и повышение температуры, при обнаружении внштатных ситуаций немедленно остановить работу и провести осмотр.
8. Не выпускать инструмент из рук при работе.
9. После длительной работы наконечник сильно накаляется, поэтому при замене насадки будьте внимательны, в противном случае это может стать причиной сильных ожогов.
10. Всегда носите защитные очки при использовании этого электроинструмента. Используйте респиратор для работы при которой образуется пыль.
11. Используйте шумогасящие наушники при использовании электроинструмента в течение длительной работы. Длительное подвергание шуму высокой интенсивности может стать причиной потери слуха.

### Перед началом работы обратить внимание:

1. Удостовериться, что подсоединенный источник питания соответствует данной модели инструмента, что установлено защитное устройство от утечки электрического тока.
2. Наконечник подходит к держателю и прочтл установлен.
3. Если место работы находится в удалении от источника питания, то рекомендуется использовать удлинитель с достаточной емкостью, соответствующий необходимым требованиям.

### Перед работой проверить соответствие следующим требованиям:

1. На корпусе, рукоятке нет трещин, повреждений.
2. Электрический кабель, вилка полностью исправны, выключатели работают нормально, ноль подсоединен правильно, прочно и надежно.
3. Все защитные кожухи крепко закреплены, электрическое защитное устройство надежно.

## ТЕХНИЧЕСКОЕ ОБСЛУЖИВАНИЕ

### 1. Замена угольных щеток

Когда угольные щетки изнашиваются до допустимого предела, инструмент автоматически отключается. Когда это произошло, ослабьте винты, которые держат крышку держателя щеток. Снимите крышку. Меняйте обе угольные щетки одновременно. Используйте только одинаковые угольные щетки.

### 2. Замена смазки

Для прогрева инструмента включите его на несколько минут. Затем выключите и отключите от сети. Отверните винты и отсоедините рукоятку. С помощью торцевого ключа отвинтите крышку кардана. Поместите инструмент на поверхности стола в вертикальном положении с держателем, расположенном в верхней точке. Это позволит старому маслу стечь в полость корпуса кардана. Удалите старую смазку. Тщательно протрите полость и замените старую смазку новой.

Использование большего, чем 30 граммов количества смазки может привести к неправильному ударному действию и выходу инструмента из строя. Снова установите крышку кардана и затяните ее торцевым ключом. Установите рукоятку.

#### **ВНИМАНИЕ:**

- Будьте осторожны, не повредите клеммы или токоведущие провода во время протирания полости корпуса кардана от старой смазки или при установке рукоятки.
- Не перетягивайте крышку кардана, она сделана из пластмассы и может сломаться.

Обслуживание инструмента должно быть выполнено только квалифицированным персоналом уполномоченных сервисных центров.

## УСЛОВИЯ ГАРАНТИЙНОГО ОБСЛУЖИВАНИЯ

1. Настоящее гарантийное свидетельство является единственным документом, подтверждающим Ваше право на бесплатное гарантийное обслуживание. Без предъявления данного свидетельства претензии не принимаются. В случае утери или порчи гарантийное свидетельство не восстанавливается.
  2. Гарантийный срок на электроинструмент составляет 12 месяцев со дня продажи, в течение гарантийного срока сервисная служба бесплатно устраняет производственные дефекты и производит замену деталей, вышедших из строя по вине изготовителя. На период гарантийного ремонта эквивалентный исправный инструмент не предоставляется. Заменяемые детали переходят в собственность служб сервиса. Компания P.I.T. не несет ответственности за вред, который может быть причинен при работе с электроинструментом.
  3. В гарантийный ремонт инструмент принимается в чистом виде, при обязательном наличии надлежащим образом оформленных документов: настоящего гарантийного свидетельства, гарантийного талона, с полностью заполненными полями, штампом торговой организации и подписью покупателя.
  4. Гарантийный ремонт не производится в следующих случаях:
    - при отсутствии гарантийного свидетельства и гарантийного талона или неправильном их оформлении;
    - при совместном выходе из строя якоря и статора электродвигателя, при обугливания или оплавлении первичной обмотки трансформатора сварочного аппарата, зарядного или пуско-зарядного устройства, при оплавлении внутренних деталей, прожиге электронных плат;
    - если гарантийное свидетельство или талон не принадлежат данному электроинструменту или не соответствует установленному поставщиком образцу;
    - по истечении срока гарантии;
    - при попытках самостоятельного вскрытия или ремонта электроинструмента вне гарантийной мастерской; внесения конструктивных изменений и смазки инструмента в гарантийный период, о чем свидетельствуют, например, заломы на шлицевых частях крепежа корпусных деталей.
    - при использовании электроинструмента в производственных или иных целях, связанных с получением прибыли, а также – при возникновении неисправностей связанных с нестабильностью параметров электросети, превышающих нормы, установленные ГОСТ;
    - при неправильной эксплуатации (использование электроинструмента не по назначению, установки на электроинструмент не предназначенных заводом-изготовителем насадок, дополнительных приспособлений и т.п.;
    - при механических повреждениях корпуса, сетевого шнура и при повреждениях, вызванных воздействиями агрессивных средств и высоких и низких температур, попадании инородных предметов в вентиляционные решетки электроинструмента, а также при повреждениях, наступивших в результате неправильного хранения(коррозия металлических частей);
    - при естественном износе деталей электроинструмента, в результате длительной эксплуатации(определяется по признакам полной или частичной выработки ресурса, сильного загрязнения, ржавчины снаружи и внутри электроинструмента, отработанной смазки в редукторе);
    - использование инструмента не по назначению, указанному в инструкции по эксплуатации.
    - при механических повреждениях инструмента;
    - при возникновении повреждений в связи с несоблюдением предусмотренных инструкцией условий эксплуатации(см. главу Указание по технике безопасности в инструкции).
    - повреждение изделия вследствие несоблюдения правил хранения и транспортировки.
- Профилактическое обслуживание электроинструмента (чистка, промывка, смазка, замена пыльников, поршневых и уплотнительных колец) в гарантийный период является платной услугой.
- Срок службы изделия установлен производителем и составляет 2 года со дня изготовления.
- О возможных нарушениях, изложенных выше условий гарантийного обслуживания, владельцу сообщается после проведения диагностики в сервисном центре.
- Владелец инструмента доверяет проведение диагностики в сервисном центре в свое отсутствие.
- Запрещается эксплуатация электроинструмента при проявлении признаков повышенного нагрева, искрения, а также шума в редукторной части. Для выяснения причин неисправности покупателю следует обратиться в гарантийную мастерскую.
- Неисправности, вызванные несвоевременной заменой угольных щеток двигателя, устраняются за счет покупателя.
5. Гарантия не распространяется на:
    - сменные принадлежности (аксессуары и оснастка), например: аккумуляторы, диски, ножи, сверла, буры, патроны, цепи, звездочки, цанговые зажимы, шины, элементы натяжения и крепления, головки триммеров, подошвы шлифовальных и ленточных машин, фильтры и т.п.
    - быстроизнашивающиеся детали, например: угольные щетки, приводные ремни, сальники, защитные кожухи, направляющие ролики, направляющие, резиновые уплотнения, подшипники, зубчатые ремни и колеса, стволы, ленты тормоза, храповики и тросы стартеров, поршневые кольца и т.п. Замена их в течении гарантийного срока является платной услугой.
    - шнуры питания, в случае повреждения изоляции, шнуры питания подлежат обязательной замене без согласия владельца (услуга платная).
    - корпуса инструмента.

**ГАРАНТИЙНОЕ СВИДЕТЕЛЬСТВО НА ИНСТРУМЕНТ P.I.T.**

Наименование изделия \_\_\_\_\_

Артикул изделия Серийный номер 

Дата продажи «\_\_» \_\_\_\_\_

Наименование торговой организации \_\_\_\_\_

М.П.

**Уважаемый покупатель!**

Благодарим Вас за покупку инструмента P.I.T. и надеемся, что Вы останетесь довольны своим выбором. В процессе производства инструменты P.I.T. проходят многоуровневый контроль качества, если тем не менее Ваше изделие будет нуждаться в обслуживании, просим Вас обращаться в авторизированные сервисные центры P.I.T.

**Внимание!**

При покупке требуйте у продавца проверки комплектности и работоспособности инструмента, заполнение гарантийного свидетельства, гарантийного талона(графы заполняются продавцом) и простановки печати торговой организации в гарантийном свидетельстве и гарантийном талоне.

**Гарантия**

На основании данного гарантийного свидетельства компания P.I.T. гарантирует отсутствие дефектов производственного характера.

Если в течении гарантийного срока в Вашем изделии тем не менее обнаружатся указанные дефекты, специализированные сервисные центры P.I.T. бесплатно отремонтируют изделие и заменят дефектные запасные части.

Гарантийный срок на электроинструменты P.I.T. составляет 12 месяцев со дня продажи.

**«С условиями гарантийного обслуживания ознакомлен(а). Работоспособность и комплектность изделия проверены в моем присутствии. Претензий к качеству и внешнему виду не имею».**

Подпись покупателя \_\_\_\_\_ Фамилия(разборчиво) \_\_\_\_\_

Телефон \_\_\_\_\_

**P. I. T. WARRANTY CARD**

Name \_\_\_\_\_  
Serial number \_\_\_\_\_  
The date of sale 20 \_\_\_\_\_  
The date of receipt of the repair 20 \_\_\_\_\_



Name \_\_\_\_\_  
Serial number \_\_\_\_\_  
Date of sale "" \_\_\_\_\_  
(Filled by seller)

Seal is here

**WARRANTY REPAIR CARD**

date of acceptance for repair \_\_\_\_20\_\_\_\_\_  
Application for repair \_\_\_\_\_  
Customer \_\_\_\_\_  
Telephone (address) \_\_\_\_\_  
The reason for petition \_\_\_\_\_  
Tool checked in my presence \_\_\_\_\_  
(The order is filled in the service center) (signature)

Seal is here

Name \_\_\_\_\_  
Serial number \_\_\_\_\_  
The date of sale 20 \_\_\_\_\_  
The date of receipt of the repair 20 \_\_\_\_\_



Name \_\_\_\_\_  
Serial number \_\_\_\_\_  
Date of sale "" \_\_\_\_\_  
(Filled by seller)

Seal is here

**WARRANTY REPAIR CARD**

date of acceptance for repair \_\_\_\_20\_\_\_\_\_  
Application for repair \_\_\_\_\_  
Customer \_\_\_\_\_  
Telephone (address) \_\_\_\_\_  
The reason for petition \_\_\_\_\_  
Tool checked in my presence \_\_\_\_\_  
(The order is filled in the service center) (signature)

Seal is here

Name \_\_\_\_\_  
Serial number \_\_\_\_\_  
The date of sale 20 \_\_\_\_\_  
The date of receipt of the repair 20 \_\_\_\_\_



Name \_\_\_\_\_  
Serial number \_\_\_\_\_  
Date of sale "" \_\_\_\_\_  
(Filled by seller)

Seal is here

**WARRANTY REPAIR CARD**

date of acceptance for repair \_\_\_\_20\_\_\_\_\_  
Application for repair \_\_\_\_\_  
Customer \_\_\_\_\_  
Telephone (address) \_\_\_\_\_  
The reason for petition \_\_\_\_\_  
Tool checked in my presence \_\_\_\_\_  
(The order is filled in the service center) (signature)

Seal is here

**ГАРАНТИЙНЫЙ ТАЛОН P.I.T.**


Наименование \_\_\_\_\_  
 Серийный номер \_\_\_\_\_  
 Дата продажи «\_\_» \_\_\_\_\_ 20 \_\_г.  
 (Заполняется продавцом)

М.П.

КАРТА ГАРАНТИЙНОГО РЕМОНТА \_\_  
 Дата приема в ремонт \_\_ \_\_\_\_\_ 20 \_\_г.  
 Заявка на ремонт \_\_\_\_\_  
 Заказчик \_\_\_\_\_  
 Телефон(адрес) \_\_\_\_\_  
 Причина обращения \_\_\_\_\_  
 Дата получения из ремонта \_\_ \_\_\_\_\_ 20 \_\_г.  
 Инструмент проверен в моем присутствии \_\_\_\_\_  
 (Заказ заполняется в сервисном центре) (подпись)

М.П.

Наименование \_\_\_\_\_  
 Серийный номер \_\_\_\_\_  
 Дата продажи «\_\_» \_\_\_\_\_ 20 \_\_г.  
 Дата получения из ремонта «\_\_» \_\_\_\_\_ 20 \_\_г.



Наименование \_\_\_\_\_  
 Серийный номер \_\_\_\_\_  
 Дата продажи «\_\_» \_\_\_\_\_ 20 \_\_г.  
 (Заполняется продавцом)

М.П.

КАРТА ГАРАНТИЙНОГО РЕМОНТА \_\_  
 Дата приема в ремонт \_\_ \_\_\_\_\_ 20 \_\_г.  
 Заявка на ремонт \_\_\_\_\_  
 Заказчик \_\_\_\_\_  
 Телефон(адрес) \_\_\_\_\_  
 Причина обращения \_\_\_\_\_  
 Дата получения из ремонта \_\_ \_\_\_\_\_ 20 \_\_г.  
 Инструмент проверен в моем присутствии \_\_\_\_\_  
 (Заказ заполняется в сервисном центре) (подпись)

М.П.

Наименование \_\_\_\_\_  
 Серийный номер \_\_\_\_\_  
 Дата продажи «\_\_» \_\_\_\_\_ 20 \_\_г.  
 Дата получения из ремонта «\_\_» \_\_\_\_\_ 20 \_\_г.



Наименование \_\_\_\_\_  
 Серийный номер \_\_\_\_\_  
 Дата продажи «\_\_» \_\_\_\_\_ 20 \_\_г.  
 (Заполняется продавцом)

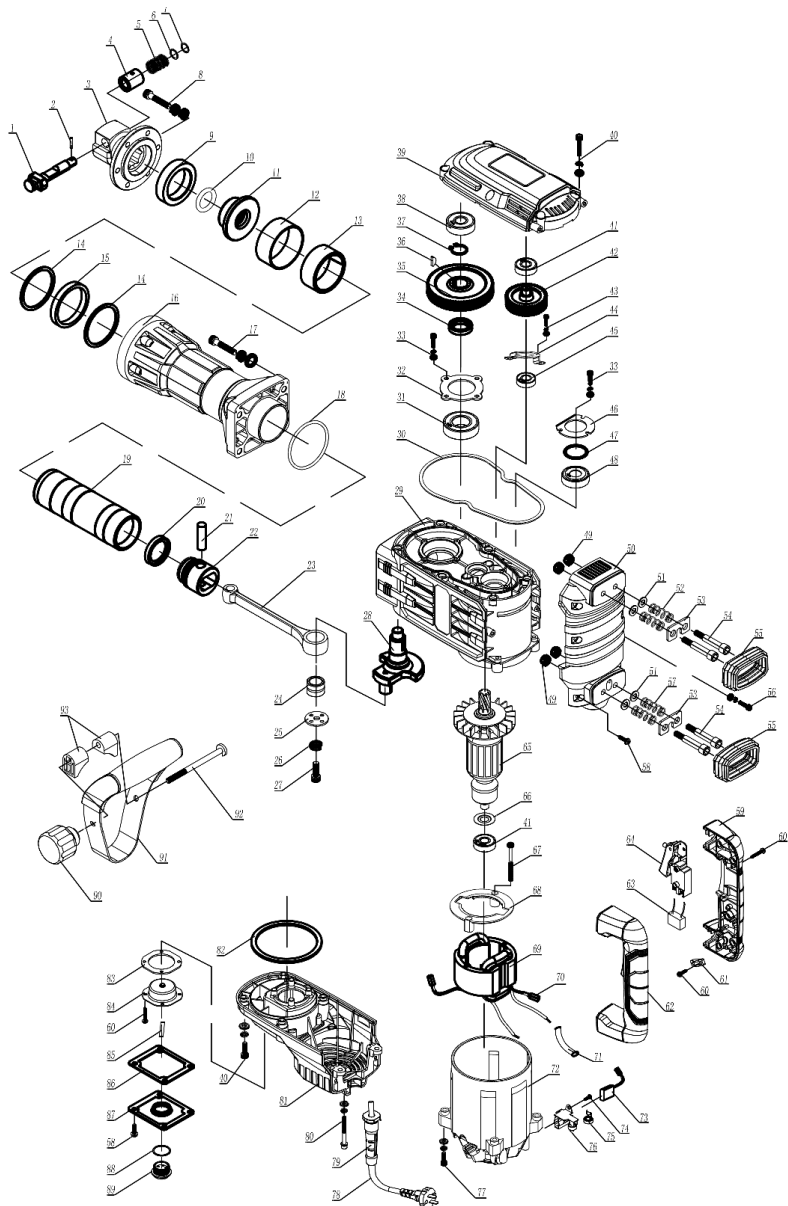
М.П.

КАРТА ГАРАНТИЙНОГО РЕМОНТА \_\_  
 Дата приема в ремонт \_\_ \_\_\_\_\_ 20 \_\_г.  
 Заявка на ремонт \_\_\_\_\_  
 Заказчик \_\_\_\_\_  
 Телефон(адрес) \_\_\_\_\_  
 Причина обращения \_\_\_\_\_  
 Дата получения из ремонта \_\_ \_\_\_\_\_ 20 \_\_г.  
 Инструмент проверен в моем присутствии \_\_\_\_\_  
 (Заказ заполняется в сервисном центре) (подпись)

М.П.

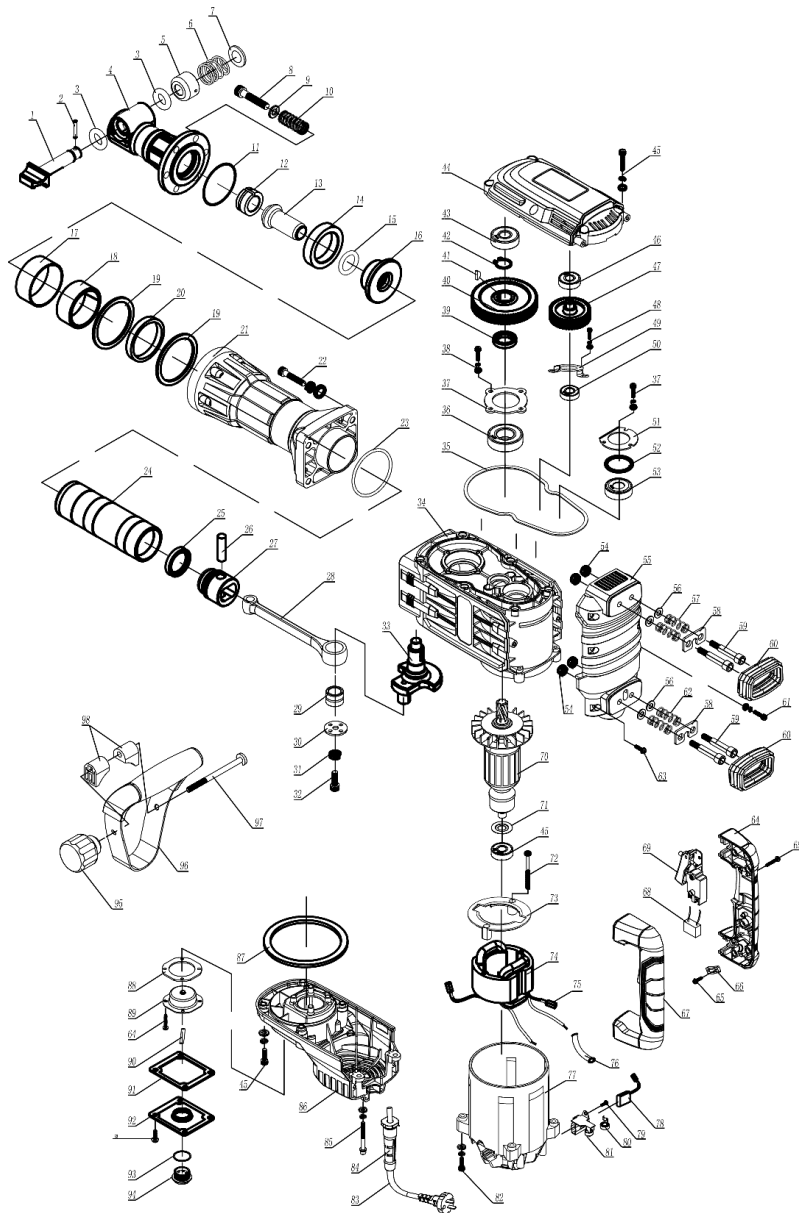
Наименование \_\_\_\_\_  
 Серийный номер \_\_\_\_\_  
 Дата продажи «\_\_» \_\_\_\_\_ 20 \_\_г.  
 Дата получения из ремонта «\_\_» \_\_\_\_\_ 20 \_\_г.

**P.I.T. WARRANTY SHEET / ГАРАНТИЙНЫЙ ТАЛОН P.I.T.**  
**GSH65-C2**

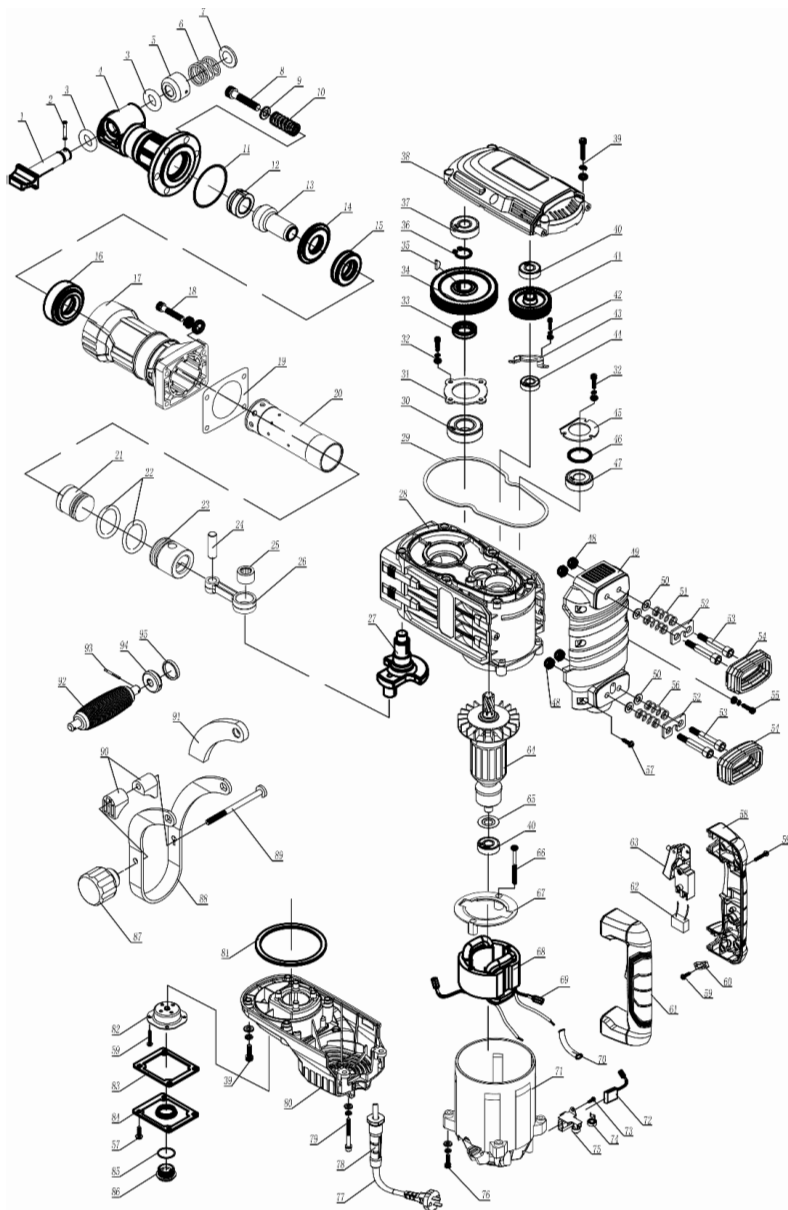




**P.I.T. WARRANTY SHEET / ГАРАНТИЙНЫЙ ТАЛОН P.I.T.**  
**GSH65-C3**



**P.I.T. WARRANTY SHEET / ГАРАНТИЙНЫЙ ТАЛОН P.I.T.**  
**GSH90-C2**





**Поставщик / производитель:** Xinjiang Longbo Industrial Co., Ltd./Синзянь Лонгбо Индастриал Ко., Лтд.  
**Адрес производства:** Rm. 602, 6th Floor, No. 531, Weixing Road, Economic And Technological Development Zone, Urumqi, Xinjiang, China / Оф.602, 6 этаж, №531, Вейшинг Родд, Экономик Энд Технолджикал Девелопмент Зон, Урумчи, Синзянь, Китай  
**Импортер/ организация, уполномоченная принимать претензии:** ООО «Турбо-Тулс»  
**Юридический адрес:** 614058, Пермский край, г. Пермь, ул. Фоминская, 36  
info@pittools.ru  
**Сделано в КНР / Made in China**

